

All rights reserved by **CNHi**.

The information contained in this catalogue is intended to be of a general nature only. **CNHi** may at any time and from time to time, for technical or other necessary reasons, modify any of the details or specifications of the product described in this catalogue.

To be sure of getting accurate, detailed and up-to-date information, an intending buyer should consult his nearest **CNHi** dealer or distributor.

Single item numeration method used in this catalogue may not be used without written consent from **CNHi**.

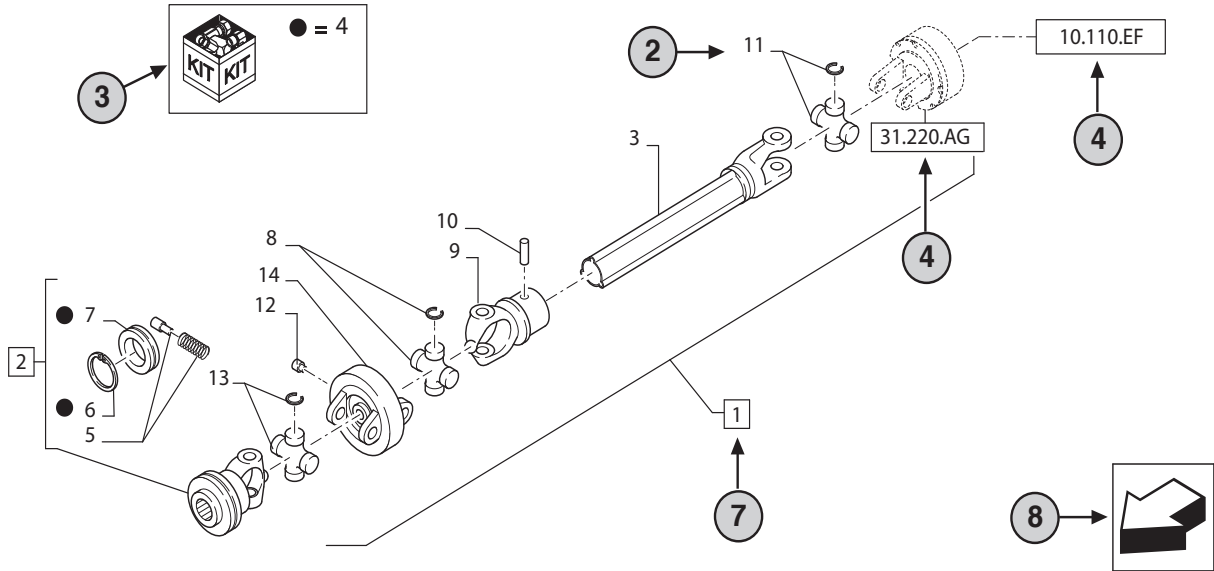
31.220.AD

01

p1

10/2014

VAR - 123782, 789101,987654 - PTO - D650



STANDARD ← 6

23

9

10

31.220.AD

01

p1

10/2014

VAR - 123782, 789101,987654 - PTO - D650

11


12

13

14

REF	FN	PART NUMBER	YR/SN	QTY	DESCRIPTION
1	1	86529340	20	1	SHAFT PTO, Incl 2 - 11
2	15	84014007		1	YOKE, Incl 4 -7 ← 7
3	16	NSS		1	NOT SERVICED SEPARATELY, SHAFT, 350mm, Incl in 1
4		84004292		1	KIT, Seal Kit, Incl 6, 7 ← 17
4		{84058743}		1	KIT, Seal Kit, Incl 6, 7
2	18		21		
	19		22		
		1 = FOR ITALY ONLY ← 5			

MODELS ← 1

- 1 Model Number and Model Description
- 2 Reference - Figure call-out of the part number.
- 3 Parts supplied in repair kits per symbol reference.
- 4 31.220.AD Part illustrated on the **Page** or in the **Figure** indicated, or calls for **Variations** or **Details**. Indicates components shown in detail elsewhere in the catalogue under the figure number shown.
- 5 Footnote references
- 6 Figure notes
- 7 1 2 Includes item(s) ..... (See Description within partlist).
- 8 Orientation. (Arrow indicates front of the machine). 
- 9 Figure description.
- 10 General information of the figure.
- 11 Figure title number that aligns with the SRT. Standard Repair Time.
- 12 **Sequence** code within the assembly.
- 13 Page number within the sequence code.
- 14 **Date** of printing or updating of page (month-year).
- 15 **Note** - Relating to the Part Number. There is a key to symbols and abbreviations at the bottom of the text page.
- 16 Non-serviced parts.
- 17 Further description of the part to help confirm identification.
- 18 Not available as service part.
- 19 Part Number.
- 20 To be defined.
- 21 Total **Quantity** of the Part referred to in the page.  
The quantity can be replaced by the following indications:  
**AR** = quantity as requested.
- 22 Part **Description**.
- 23 Variant Codes

---

## TABLE OF CONTENTS

---

00.000.00	01	PICTORIAL INDEX - MAIN SECTIONS
00.000.05	01	PICTORIAL INDEX - MACHINE COMPLETION AND EQUIPMENT
00.000.10	01	PICTORIAL INDEX - ENGINE, 90HP
00.000.10	02	PICTORIAL INDEX - ENGINE, 90HP
00.000.14	01	PICTORIAL INDEX - MAIN SECTIONS GEARBOX DRIVE
00.000.18	01	PICTORIAL INDEX - CLUTCH
00.000.21	01	PICTORIAL INDEX - TRANSMISSION, 2WD
00.000.21	01	PICTORIAL INDEX - TRANSMISSION, 4WD
00.000.21	02	PICTORIAL INDEX - TRANSMISSION, 2WD
00.000.21	02	PICTORIAL INDEX - TRANSMISSION, 4WD
00.000.25	01	PICTORIAL INDEX - FRONT AXLE SYSTEM, 2WD
00.000.25	01	PICTORIAL INDEX - FRONT AXLE SYSTEM, 4WD
00.000.27	01	PICTORIAL INDEX - REAR AXLE SYSTEM
00.000.31	01	PICTORIAL INDEX - IMPLEMENT POWER TAKE-OFF
00.000.33	01	PICTORIAL INDEX - BRAKES & CONTROLS
00.000.35	01	PICTORIAL INDEX - HYDRAULIC SYSTEMS
00.000.37	01	PICTORIAL INDEX - HITCHES, DRAWBARS AND IMPLEMENT COUPLINGS
00.000.39	01	PICTORIAL INDEX - FRAMES AND BALLASTING, 2WD
00.000.39	01	PICTORIAL INDEX - FRAMES AND BALLASTING, 4WD
00.000.41	01	PICTORIAL INDEX - STEERING, 2WD
00.000.41	01	PICTORIAL INDEX - STEERING, 4WD
00.000.44	01	PICTORIAL INDEX - WHEELS, 2WD
00.000.44	01	PICTORIAL INDEX - WHEELS, 4WD
00.000.55	01	PICTORIAL INDEX - ELECTRICAL SYSTEMS
00.000.88	01	PICTORIAL INDEX - ACCESSORIES
00.000.90	01	PICTORIAL INDEX - PLATFORM, CAB, BODYWORK AND DECALS, 2WD, 90HP
00.000.90	01	PICTORIAL INDEX - PLATFORM, CAB, BODYWORK AND DECALS, 4WD, 90HP
05.000.00	01	SECTION INDEX - MACHINE COMPLETION & EQUIPMENT
05.100.01	01	INITIAL STOCKING LIST (LIST A)
05.100.01	02	INITIAL STOCKING LIST (LIST A)
05.100.01	03	INITIAL STOCKING LIST (LIST A)
05.100.02	01	INITIAL STOCKING LIST (LIST B)
05.100.03	01	FILTERS
10.000.00	01	SECTION INDEX - ENGINE, 90HP
10.000.00	02	SECTION INDEX - ENGINE, 90HP
10.001.AD	01	ENGINE ASSY, 88HP TIER 3 REGULAR

---

## TABLE OF CONTENTS

---

10.001.AD	01	ENGINE, ASSY, 4 CYL 88HP, TIER-0 REGULAR
10.001.AD	02	ENGINE, ASSY, 4 CYL 88HP, TIER-0 POWER SHUTTLE
10.001.AD	02	ENGINE, ASSY, 88HP TIER 3 POWERSHUTTLE
10.001.AD	03	CYLINDER BLOCK & RELATED PARTS
10.101.AA	01	CYLINDER HEAD & RELATED PARTS
10.102.AP	01	ENGINE OIL SUMP, TIER-0
10.102.AP	01	ENGINE OIL SUMP, TIRE-3
10.102.BB	01	ENGINE, TIMING COVER, TIER-0
10.102.BB	01	ENGINE, TIMING COVER, TIER-3
10.103.AA	01	ENGINE CRANKSHAFT ASSY, 80-88HP, TIER-0
10.103.AA	01	ENGINE CRANKSHAFT ASSY, REGULAR, TIER-3
10.103.AA	02	ENGINE CRANKSHAFT ASSY, POWERSHUTTLE, TIER-0
10.103.AA	02	ENGINE CRANKSHAFT ASSY, POWERSHUTTLE, TIER-3
10.103.AH	01	FLYWHEEL HOUSING, COMPONENTS, REGULAR, TIER-0
10.103.AH	01	FLYWHEEL HOUSING, COMPONENTS, REGULAR, TIER-3
10.103.AH	02	FLYWHEEL HOUSING, COMPONENTS, POWERSHUTTLE, TIER-0
10.103.AH	02	FLYWHEEL HOUSING, COMPONENTS, POWERSHUTTLE, TIER-3
10.105.AB	01	CONNECTING ROD & PISTON ASSY, TIER-0
10.105.AB	01	CONNECTING ROD & PISTON ASSY, TIER-3
10.106.AA	01	ENGINE CAMSHAFT, VALVE, ASSY, TIER-3
10.106.AA	01	ENGINE, CAMSHAFT, VALVE, ASSY, 80-88HP, TIER-0
10.106.AM	01	IDLER GEAR, TIER-0
10.106.AM	01	IDLER GEAR, TIER-3
10.110.AC	01	BALANCER, ENGINE, TIER-0
10.110.AC	01	BALANCER, ENGINE, TIER-3
10.202.AB	01	DRY AIR CLEANER WITHOUT PRE - CLEANER
10.202.AB	02	DRY AIR CLEANER
10.202.AK	01	AIR CLEANER, LINES, 80 - 88HP
10.202.AM	01	ENGINE PRECLEANER
10.206.AF	01	FUEL WATER SEPERATOR FILTER
10.206.AG	01	FUEL FILTER ASSY
10.210.AO	01	FUEL FEED PUMP, TIER-0
10.210.AO	01	FUEL FEED PUMP, TIER-3
10.216.AI	01	FUEL TANK
10.216.AI	02	FUEL TANK GUARD
10.216.AI	03	FUEL TANK SUPPORT

---

TABLE OF CONTENTS

---

10.216.BA	01	FUEL TANK LINES
10.216.BA	02	FUEL TANK LINES
10.216.BA	03	FUEL TANK PIPES
10.218.AF	01	FUEL INJECTOR, TIER-0
10.218.AF	01	FUEL INJECTOR, TIER-3
10.218.AQ	01	FUEL INJECTION PUMP AND TIMING GEARS, 88HP, TIER-0
10.218.AQ	01	FUEL INJECTION PUMP AND TIMING GEARS, 88HP, TIER-3
10.220.AH	01	FOOT THROTTLE CONTROL
10.220.AI	01	HANDLE, THROTTLE CONTROL
10.250.AD	01	TURBOCHARGER & RELATED PARTS, TIER-0
10.250.AD	01	TURBOCHARGER & RELATED PARTS, TIER-3
10.254.AC	01	EXHAUST MANIFOLD, TIER-0
10.254.AC	01	EXHAUST MANIFOLD, TIER-3
10.254.AI	01	EXHAUST MUFFLER WITHOUT HEAT SHIELD
10.254.AI	02	EXHAUST MUFFLER
10.254.AI	03	EXHAUST MUFFLER WITH HEAT SHIELD
10.254.AI	04	ENGINE EXHAUST SYSTEM WITHOUT HEAT SHIELD
10.254.AI	05	ENGINE EXHAUST SYSTEM, HEAT SHIELD
10.254.AI	06	EXHAUST MUFFLER
10.254.AI	09	EXHAUST MUFFLER 80HP & 90HP
10.254.AM	01	INTAKE ASSY, MANIFOLD, 4 CYLINDER, 80-88HP, TIER-0
10.254.AM	01	INTAKE ASSY, MANIFOLD, 4 CYLINDER, TIER-3
10.304.AM	01	FORCED LUBRICATION
10.400.BB	01	WATER PUMP ASSY, TIER-0
10.400.BB	01	WATER PUMP ASSY, TIER-3
10.400.BC	01	WATER PUMP CONNECTOR, THERMOSTART, TIER-0
10.400.BC	01	WATER PUMP CONNECTOR, THERMOSTART, TIER-3
10.400.BE	01	RADIATOR, ASSY
10.400.BE	02	RADIATOR ASSY 88HP
10.400.BF	01	SUPPORT, RADIATOR, 80-88HP, TIER-0
10.400.BF	01	SUPPORT, RADIATOR, TIER-3
10.400.BF	02	SUPPORT, RADIATOR, 80-88HP, TIER-0
10.400.BF	02	SUPPORT, RADIATOR, TIER-3
10.400.BF	03	RADIATOR SUPPORTS, WITH SCAVANGING AND WITHOUT OIL COOLER, 80-88HP, TIER-0
10.400.BF	03	RADIATOR SUPPORTS, WITH SCAVANGING AND WITHOUT OIL COOLER, TIER-3
10.400.BF	04	RADIATOR SUPPORTS, WITHOUT SCAVANGING AND WITH OIL COOLAR, 80-88HP, TIER-0

---

## TABLE OF CONTENTS

---

10.400.BF	04	RADIATOR SUPPORTS, WITHOUT SCAVANGING AND WITH OIL COOLAR, TIER-3
10.400.BF	05	RADIATOR SUPPORTS, WITH SCAVANGING AND OIL COOLER, 80-88HP, TIER-0
10.400.BF	05	RADIATOR SUPPORTS, WITH SCAVANGING AND OIL COOLER, TIER-3
10.400.BF	06	RADIATOR FRAME AND SUPPORTS
10.400.BG	01	RADIATOR COWL
10.400.BG	01	RADIATOR COWL, 80-88HP, TIER-0
10.408.AL	01	OIL COOLER LINES, 80-90HP
10.408.AO	01	ENGINE OIL COOLER
10.408.AO	02	OIL FILTER & COOLER PUMP, ASSY, TIER-3
10.408.AO	02	OIL FILTER & COOLER, PUMP, ASSY, TIER-0
10.408.AO	03	OIL FILTER INTERCOOLER, ASSY
10.414.AC	01	FAN ASSY, TIER-3
10.414.AC	01	FAN, ASSY, 80-88HP, TIER-0
10.414.AM	01	HYDRAULIC PUMP DRIVE GEAR, TIER-3
10.414.AM	01	HYDRAULIC PUMP, DRIVE, GEAR, TIER-0
10.418.BC	01	ENGINE CHARGE AIR COOLER, 80-88HP, TIER-0
10.418.BC	01	ENGINE CHARGE AIR COOLER, 80-88HP, TIER-3
14.000.00	01	SECTION INDEX - MAIN GEAR BOX AND DRIVE
14.100.AN	01	CLUTCH CONTROL POWERSHUTTLE, LOW HP
14.100.AN	02	CLUTCH PEDAL LEVER, POWERSHUTTLE
18.000.00	01	SECTION INDEX - CLUTCH
18.100.AB	01	TRANSMISSION CLUTCH, 80-90HP, 12" X 12"
18.100.AN	01	POWER TAKE - OFF CLUTCH RELEASE CONTROL LEVER
18.110.AC	01	PEDAL CLUTCH CONTROL
21.000.00	01	SECTION INDEX - TRANSMISSION, 2WD
21.000.00	01	SECTION INDEX - TRANSMISSION, 4WD
21.000.00	02	SECTION INDEX - TRANSMISSION, 2WD
21.000.00	02	SECTION INDEX - TRANSMISSION, 4WD
21.105.AK	01	CONTROL VALVE DRAIN LINE, FRONT LUBRICATION, POWERSHUTTLE
21.112.AC	01	TRANSMISSION HOUSING, 2WD
21.112.AC	01	TRANSMISSION HOUSING, 4WD
21.112.AC	02	TRANSMISSION HOUSING
21.112.AC	02	TRANSMISSION HOUSING, POWERSHUTTLE, 80-95HP, 4WD
21.118.AF	01	TRANSMISSION DRIVE HOUSING, CREEPER
21.118.AF	02	TRANSMISSION DRIVE HOUSING, SPLITTER
21.134.AI	01	TRANSMISSION EXTERNAL CONTROL, FIXED STEERING

---

## TABLE OF CONTENTS

---

21.134.AI	02	TRANSMISSION EXTERNAL CONTROL, TILTABLE STEERING
21.134.AM	01	TRANSMISSION CONTROL VALVE, POWERSHUTTLE
21.134.AM	02	TRANSMISSION CONTROL VALVE, POWERSHUTTLE
21.134.AM	03	TRANSMISSION CONTROL VALVE, POWERSHUTTLE
21.134.AM	04	TRANSMISSION CONTROL VALVE, TAP OFF ASSY
21.140.AK	01	TRANSMISSION, GEAR
21.140.AQ	01	SHIFTING SYSTEM SYNCHROMESH, HIGH LOW, POWER SHUTTLE, DRIVEN SHAFT
21.140.AQ	02	CREEPER SHIFTING UNIT, POWERSHUTTLE
21.154.AA	01	WET CLUTCH HOUSING, POWERSHUTTLE
21.154.AA	02	WET CLUTCH HOUSING, POWERSHUTTLE
21.154.AL	01	GEAR SHIFTING CONTROL, CONSTANTMESH, HIGH LOW, 90HP
21.154.AL	02	GEAR SHIFTING CONTROL, CONSTANTMESH, HIGH LOW, 90HP
21.154.AL	03	GEAR SHIFTING CONTROL, SYNCHROMESH, HIGH LOW, 90HP
21.154.AL	04	GEAR SHIFTING CONTROL, SYNCHROMESH, HIGH LOW, 90HP
21.154.AL	05	GEAR SHIFTING CONTROL, CONSTANTMESH, HIGH LOW MEDIUM, 90HP
21.154.AL	06	GEAR SHIFTING SYSTEM, SYNCHROMESH, HIGH LOW MEDIUM, POWER SHUTTLE
21.154.AL	07	GEAR SHIFTING CONTROL, CONSTANTMESH, HIGH LOW MEDIUM, 90HP
21.154.AL	08	GEAR SHIFTING CONTROL, SYNCHROMESH, HIGH LOW MEDIUM, 90HP
21.154.AL	09	GEAR SHIFTING CONTROL, SYNCHROMESH, HIGH LOW MEDIUM, 90HP
21.154.AO	01	RANGE GEAR, CONSTANTMESH, HIGH LOW, ABOVE 75HP
21.154.AO	02	RANGE GEAR SYNCHROMESH, HIGH LOW, ABOVE 75HP
21.154.AO	03	RANGE GEAR, CONSTANTMESH HIGH LOW MEDIUM, ABOVE 75HP
21.154.AO	04	RANGE GEAR, SYNCHROMESH HIGH LOW MEDIUM, ABOVE 75HP
21.154.AO	05	RANGE GEAR, CONSTANTMESH
21.154.AO	06	RANGE GEAR, SYNCHROMESH
21.155.AZ	01	SPEED GEAR, CONSTANTMESH, 90HP
21.155.AZ	02	SPEED GEAR, CONSTANTMESH, 90HP
21.155.AZ	03	SPEED GEAR, SYNCHROMESH, 90HP
21.155.AZ	04	SPEED GEAR, SYNCHROMESH, 90HP
21.160.AA	01	CREEPER CLUTCH, INTERNAL MECHANICAL COMPONENT
21.160.AA	02	CREEPER CLUTCH AND INTERNAL PARTS
21.160.AA	03	CREEPER CLUTCH AND INTERNAL PARTS
21.160.AA	04	CREEPER CLUTCH GEARS WITH POWER SHUTTLE
21.160.AA	05	CREEPER CLUTCH AND INTERNALPARTS, WITHOUT SPLITTER
21.160.AN	01	CREEPER GEARS, WITHOUT 12" CLUTCH
21.160.AN	02	CREEPER GEARS, WITH 12" CLUTCH, USE FOR MY16



---

## TABLE OF CONTENTS

---

21.160.AN	02	CREEPER GEARS, WITH 12" CLUTCH, USE FROM MY17
21.160.AN	03	SPLITTER GEARS, WITH 12" CLUTCH, USE FOR MY16
21.160.AN	03	SPLITTER GEARS, WITH 12" CLUTCH, USE FROM MY17
21.160.AQ	01	CREEPER AND SPLITTER INTERNAL CONTROL
21.160.AQ	02	SPLITTER GEARS & SHAFT, POWERSHUTTLE
21.182.AB	01	DIFFERENTIAL LOCK
21.182.AF	01	DIFFERENTIAL GEAR, HEAVY DUTY
25.000.00	01	SECTION INDEX - FRONT AXLE SYSTEM, 2WD
25.000.00	01	SECTION INDEX - FRONT AXLE SYSTEM, 4WD
25.100.AV	01	AXLE SUPPORT, FRONT, 2WD
25.100.AV	01	AXLE SUPPORT, FRONT, 4WD
25.102.AD	01	DIFFERENTIAL ASSY, 4WD
25.102.AD	02	FRONT AXLE STEERING SUPPORT, HD 4WD
25.102.AP	01	PLANETARY GEAR, FRONT, 4WD
25.102.AP	02	PLANETARY CARRIER ASSY, STD
25.108.AA	01	AXLE SHAFT, 4WD
25.108.AB	01	PLANETARY GEAR, SIDE FINAL DRIVE, HEAVY DUTY
25.108.AE	01	STEERING KNUCKLE ASSY, 4WD
25.310.AE	01	TRANSMISSION SHAFT, FRONT, 4WD
25.310.AI	01	DROP BOX ASSEMBLY, TRANSFER CASE, 4WD
25.310.AI	01	RELAY CONTROL, DROP BOX, TRANSFER CASE, 4WD
25.310.AI	02	DROP BOX ASSEMBLY, TRANSFER CASE, 4WD
25.310.AI	03	DROP BOX ASSY, HEAVY DUTY, MECHANICAL, 4WD
25.310.AI	04	DROP BOX ASSY, LONG SHAFT, 4WD
25.400.AM	01	FRONT AXLE 2WD
25.400.AM	02	FRONT AXLE KNUCKLE ASSY, 2WD
25.400.AM	03	FRONT AXLE, STEERING CYLINDER, LEVER ASSY, 2WD
27.000.00	01	SECTION INDEX - REAR AXLE SYSTEM
27.100.AB	01	REAR AXLE, SIDE FINAL DRIVE HOUSING
27.100.AB	02	REAR AXLE, SIDE FINAL DRIVE HOUSING, HD, 60 HP
27.106.AC	01	REAR AXLE, DIFFERENTIAL GEAR, 55-60 HP
27.106.AM	01	DIFFERENTIAL LOCK CONTROLS
27.120.AF	01	REAR AXLE, SIDE FINAL DRIVES GEARING, STANDARD, 60 HP
27.120.AF	02	REAR AXLE, SIDE FINAL DRIVES GEARING, HD, 60 HP
31.000.00	01	SECTION INDEX - POWER TAKE OFF
31.101.AB	01	PTO, INTERNAL CONTROL

---

## TABLE OF CONTENTS

---

31.101.AB	02	PTO, INTERNAL CONTROL
31.101.AB	03	POWER TAKE-OFF INTERNAL CONTROL
31.101.AB	03	PTO, INTERNAL CONTROL
31.101.AB	04	POWER TAKE-OFF INTERNAL CONTROL
31.101.AB	04	PTO, INTERNAL CONTROL
31.101.AB	05	PTO, INTERNAL CONTROL
31.110.AI	01	PTO, SHIELD
31.110.AI	02	PTO, SHIELD
31.116.AF	01	PTO, OUTPUT SHAFT
31.116.AF	02	PTO, OUTPUT SHAFT
31.116.AF	03	OUTPUT SHAFT
31.201.AG	01	PTO, INTERNAL CONTROL
31.201.AG	02	DRIVE SHAFT, PTO
33.000.00	01	SECTION INDEX - BRAKES & CONTROLS
33.110.AJ	01	HAND BRAKE LEVER
33.110.BA	01	PARKING BRAKE INTERNAL CONTROLS
33.120.AC	01	TRANSMISSION BRAKE
33.120.AD	01	BRAKE CONTROL LEVER
33.120.AG	01	BRAKE PEDAL, SHAFT
33.202.AJ	01	BRAKE CYLINDER
33.202.AN	01	HYDRAULIC BRAKE RESERVOIR
33.202.AP	01	BRAKES CONTROL PIPES
33.202.AX	01	TRANSMISSION BRAKE, HYDRAULIC, 85-95HP
33.202.BN	01	BRAKE PEDAL ASSY
35.000.00	01	SECTION INDEX - HYDRAULIC SYSTEMS
35.100.AP	01	LIFT PUMP MANIFOLD
35.100.AP	02	LIFT PUMP MANIFOLD
35.100.AP	03	HYDRAULIC LIFT, HOUSING
35.100.AP	04	HYDRAULIC LIFT HOUSING, HAULER
35.100.AR	01	HYDRAULIC LIFT, SHAFT, LINKAGE, 80-90HP
35.100.AR	02	HYDRAULIC LIFT, SHAFT AND LINKAGES, WITH ASSIST RAM, 80-90HP
35.100.AR	03	HYDRAULIC LIFT, SHAFT AND LINKAGES, WITH ASSIST RAM, 80-90HP
35.100.BH	01	HYDRAULIC LIFT CYLINDER
35.124.AD	01	TOP LINK
35.124.AD	02	TOP LINK
35.204.BE	01	REMOTE CONTROL VALVE

---

## TABLE OF CONTENTS

---

35.204.BE	02	REMOTE CONTROL VALVE
35.204.BE	03	REMOTE CONTROL VALVE
35.204.BL	01	REMOTE CONTROL VALVE, 80-90HP
35.204.BL	02	REMOTE CONTROL VALVE, 80-90HP
35.204.BL	03	REMOTE CONTROL VALVE
35.204.BL	04	REMOTE CONTROL VALVE
35.204.BL	05	REMOTE CONTROL VALVE
35.204.BL	06	REMOTE CONTROL VALVE, 80-90HP
35.220.AG	01	HYDRAULIC LIFT PIPES-SSV 4CYL 80-90 HP POWER SHUTTLE
35.220.AG	02	HYDRAULIC LIFT PIPES-RV 4CYL 80-90HP
35.220.AG	03	HYDRAULIC LIFT PIPES-HAULER 4CYL
35.220.AG	04	HYDRAULIC LIFT PIPES-SSV 4CYL 80-90 HP
35.220.AG	05	HYDRAULIC LIFT PIPES-RV 4CYL 80-90HP
35.310.AF	01	HYDRAULIC VALVE
35.310.AF	02	HYDRAULIC VALVE
35.353.AQ	01	SAFETY VALVE
37.000.00	01	SECTION INDEX - HITCHES, DRAWBARS AND IMPLEMENT COUPLINGS
37.100.99	01	DRAWBAR WITH TOW HOOK
37.100.AA	01	DRAWBAR
37.106.AA	01	TOW HOOK
37.106.AA	02	TOW HOOK, 1000RPM
37.120.AO	01	IMPLEMENT ATTACHMENT DEVICE, WITH STABILIZER BAR
37.120.AO	02	IMPLEMENT ATTACHMENT DEVICE, ASSIST RAM WITH STABILIZER BAR
37.120.AO	03	IMPLEMENT ATTACHMENT DEVICE, ASSIST RAM
37.120.AV	01	IMPLEMENT ATTACHMENT DEVICE
37.120.AV	02	IMPLEMENT ATTACHMENT DEVICE
37.120.AV	03	IMPLEMENT ATTACHMENT DEVICE
37.120.AV	04	IMPLEMENT ATTACHMENT DEVICE
37.120.AV	05	IMPLEMENT ATTACHMENT DEVICE
39.000.00	01	SECTION INDEX - FRAMES AND BALLASTING, 2WD
39.000.00	01	SECTION INDEX - FRAMES AND BALLASTING, 4WD
39.140.AF	01	FRONT BALLAST
39.140.AF	02	FRONT BALLAST
39.140.AF	03	FRONT BALLAST
39.140.AF	04	FRONT BALLAST
39.140.AF	04	FRONT BALLAST, 4WD

---

**TABLE OF CONTENTS**

---

39.140.AF	05	FRONT BALLAST 30 X 8
39.140.AF	06	FRONT BALLAST, 30X10
39.140.AF	07	FRONT BALLAST WEIGHTS, 4 X 40 KG
39.140.AF	08	FRONT BALLAST WEIGHTS, 6 X 40 KG
39.140.AF	09	FRONT BALLAST WEIGHTS, 8 X 40 KG
39.140.AF	10	FRONT BALLAST WEIGHTS, 10 X 40 KG
39.140.AL	01	REAR BALLAST
39.140.AL	02	REAR BALLAST
39.140.AL	03	REAR BALLAST, FRONT WHEEL DISC 6X55 KG
39.140.AL	04	REAR WHEEL BALLAST, 2X50KG
39.140.AL	05	REAR WHEEL BALLAST, 4X50KG
39.140.AL	06	REAR WHEEL BALLAST, 6X50KG
39.140.AL	07	REAR WHEEL BALLAST
39.140.AL	08	REAR WHEEL BALLAST
41.000.00	01	SECTION INDEX - STEERING, 2WD
41.000.00	01	SECTION INDEX - STEERING, 4WD
41.101.AB	01	STEERING COLUMN
41.101.AB	02	STEERING COLUMN, TILTABLE
41.101.AC	01	STEERING HOUSING, TILTABLE
41.101.AC	02	STEERING HOUSING, HYDRAULIC BRAKE
41.101.AC	03	STEERING, HOUSING, MECHANICAL BRAKE, 80-90HP
41.106.AG	01	STEERING CONTROL LINKAGE, TILTABLE
41.106.AG	02	STEERING CONTROL LINKAGE, TILTABLE, POWER SHUTTLE
41.200.AE	01	STEERING PUMP HOSE ASSY, MECHANICAL SHUTTLE, 4WD
41.200.AE	02	STEERING PUMP HOSE ASSY MECHANICAL SHUTTLE 4WD
41.200.AO	01	HYDRAULIC STEERING LINES
41.200.AO	02	STEERING PUMP HOSE ASSY, POWERSHUTTLE, 2WD
41.206.AA	01	STEERING PUMP, 2WD
41.206.AA	01	STEERING, PUMP, VALVE, PIPE, 4WD
41.206.AA	02	STEERING PUMP, POWERSHUTTLE, 2WD
41.206.AA	03	STEERING PUMP VALVE AND PIPES 4CYL 4WD POWER SHUTTLE
41.206.AJ	01	STEERING, PUMP, HOSE ASSY.
41.216.AN	01	FRONT AXLE STEERING CYLINDER, HD
41.216.AN	02	FRONT AXLE STEERING CYLINDER, HD
44.000.00	01	SECTION INDEX - WHEELS, 2WD
44.000.00	01	SECTION INDEX - WHEELS, 4WD

---

## TABLE OF CONTENTS

---

44.511.AE	01	FRONT WHEEL ASSY
44.511.AE	01	FRONT WHEEL ASSY, 4WD
44.511.AE	02	FRONT WHEEL ASSY, 10X16, 2WD
44.511.AE	02	FRONT WHEEL ASSY, 4WD
44.511.AE	03	FRONT WHEEL ASSY, 13.6 X 24, 4WD
44.520.AB	01	REAR WHEEL ASSY
44.520.AB	02	REAR WHEEL ASSY
44.520.AB	03	REAR WHEEL ASSY
44.520.AB	04	REAR WHEEL ASSY, 16.9 X 34
55.000.00	01	SECTION INDEX - ELECTRICAL SYSTEMS
55.000.AA	01	ELECTRIC CABLE SYSTEM
55.000.AA	02	WIRE HARNESS, FENDER LH
55.000.AA	03	ELECTRIC CABLE SYSTEM, USE FROM MY17
55.015.AB	01	WIRE HARNESS, ENGINE
55.031.AD	01	PARKING BRAKE SWITCH
55.100.DP	01	WIRE HARNESS, FENDER
55.100.DP	02	WIRE HARNESS, FENDER
55.100.DP	03	WIRE HARNESS, FENDER
55.100.DP	04	WIRE HARNESS, FENDER
55.100.DP	09	FENDER HARNESS, WITHOUT POWER SHUTTLE FOR ANZ 80-90HP
55.100.DP	10	FENDER HARNESS, WITHOUT POWER SHUTTLE FOR ANZ 80-90HP
55.100.DP	11	FENDER HARNESS, WITH POWER SHUTTLE FOR ANZ 80-90HP
55.201.AE	01	STARTER MOTOR, MOUNTING
55.301.AA	01	ALTERNATOR, 80-88HP, TIER-0
55.301.AA	01	ALTERNATOR, TIER-3
55.302.AG	01	BATTERY
55.302.AG	01	BATTERY, 110AH
55.302.AI	01	BATTERY CABLES
55.302.AK	01	BATTERY SUPPORT
55.302.AK	02	BATTERY SUPPORT
55.404.AQ	01	HEADLIGHT, LH
55.404.AQ	02	HEADLIGHT, RH
55.404.BA	01	LICENSE PLATE LIGHT
55.404.BH	01	RETRO REFLECTOR
55.404.BS	01	WORK LIGHT
55.404.BS	02	FENDER LIGHTS

---

## TABLE OF CONTENTS

---

55.408.AS	01	MOUNTING, HAND BRAKE SWITCH
55.408.CA	01	INSTRUMENT CLUSTER
55.410.AI	01	FUEL SENDER UNIT
55.510.BM	01	POWER SOCKET
55.512.BG	01	MAIN CONTROL SWITCH PANEL
88.000.00	01	SECTION INDEX - ACCESSORIES
88.100.AG	01	OPERATOR MANUAL
88.100.AG	01	OPERATOR MANUAL
88.100.AH	01	TOOL KIT MDL
88.100.AH	02	TOOL BOX, MOUNTING BRACKET
90.000.00	01	SECTION INDEX - PLATFORM, CAB, BODYWORK & DECALS, 2WD, 90HP
90.000.00	01	SECTION INDEX - PLATFORM, CAB, BODYWORK & DECALS, 4WD, 90HP
90.100.AU	01	ENGINE HOOD
90.102.AD	01	HOOD SUPPORT
90.108.AB	01	MODEL IDENTIFICATION DECAL, 90HP
90.108.AB	02	MODEL IDENTIFICATION DECAL, 80HP
90.108.AB	03	MODEL IDENTIFICATION DECAL, 90HP
90.108.AC	01	INFORMATION DECAL, 2WD
90.108.AC	01	INFORMATION DECAL, 4WD
90.108.AC	02	INFORMATION DECAL, SPANISH
90.108.AC	03	INFORMATION DECAL, FRENCH
90.108.AC	04	INFORMATION DECAL, ROPS
90.108.AC	05	INFORMATION DECAL, PORTUGUESE
90.108.AC	06	VEHICLE IDENTIFICATION DECAL
90.108.AD	01	EMBLEM W/O ROPS
90.108.AD	02	EMBLEM
90.108.AD	03	SLOW MOVING VEHICLE EMBLEM, ROPS, DOM
90.108.AF	01	PLATES
90.108.AF	02	SLOW MOVING VEHICLE EMBLEM, PLATE
90.114.AQ	01	ROLL OVER PROTECTIVE STRUCTURE ASSEMBLY
90.114.AQ	02	ROLL OVER PROTECTIVE STRUCTURE ASSEMBLY
90.114.BG	01	CANOPY ASSY
90.114.BG	02	CANOPY ASSY, SPECIAL EDITION
90.116.AC	01	FENDER AND FOOT BOARD, IR
90.116.AC	01	FRONT FENDER, 4WD
90.116.AC	02	FENDER AND FOOTBOARD ASSY, 16.9X30, 90HP

---

## TABLE OF CONTENTS

---

90.116.AC	03	FENDER AND FOOTBOARD, 50MM UP, 18.4X30
90.116.AP	01	HANDLE, WITHOUT MIRROR MOUNTING
90.116.AP	02	HANDLE, WITH MIRROR MOUNTING LH
90.116.AP	03	HANDLE, WITH MIRROR MOUNTING
90.116.AP	04	HANDLE, WITH MIRROR MOUNTING RH
90.116.AP	05	FENDER RAIL ASSY
90.118.BM	01	REAR VIEW OUTSIDE MIRROR
90.118.BX	01	STEP
90.118.BX	01	STEP, OPERATOR
90.120.AD	01	OPERATOR SEAT WITH OUT BELT
90.120.AD	02	OPERATOR SEAT W/O SEAT BELT
90.150.AW	01	FLOOR MAT
90.151.AM	01	BOTTLE HOLDER





---

## SECTION INDEX

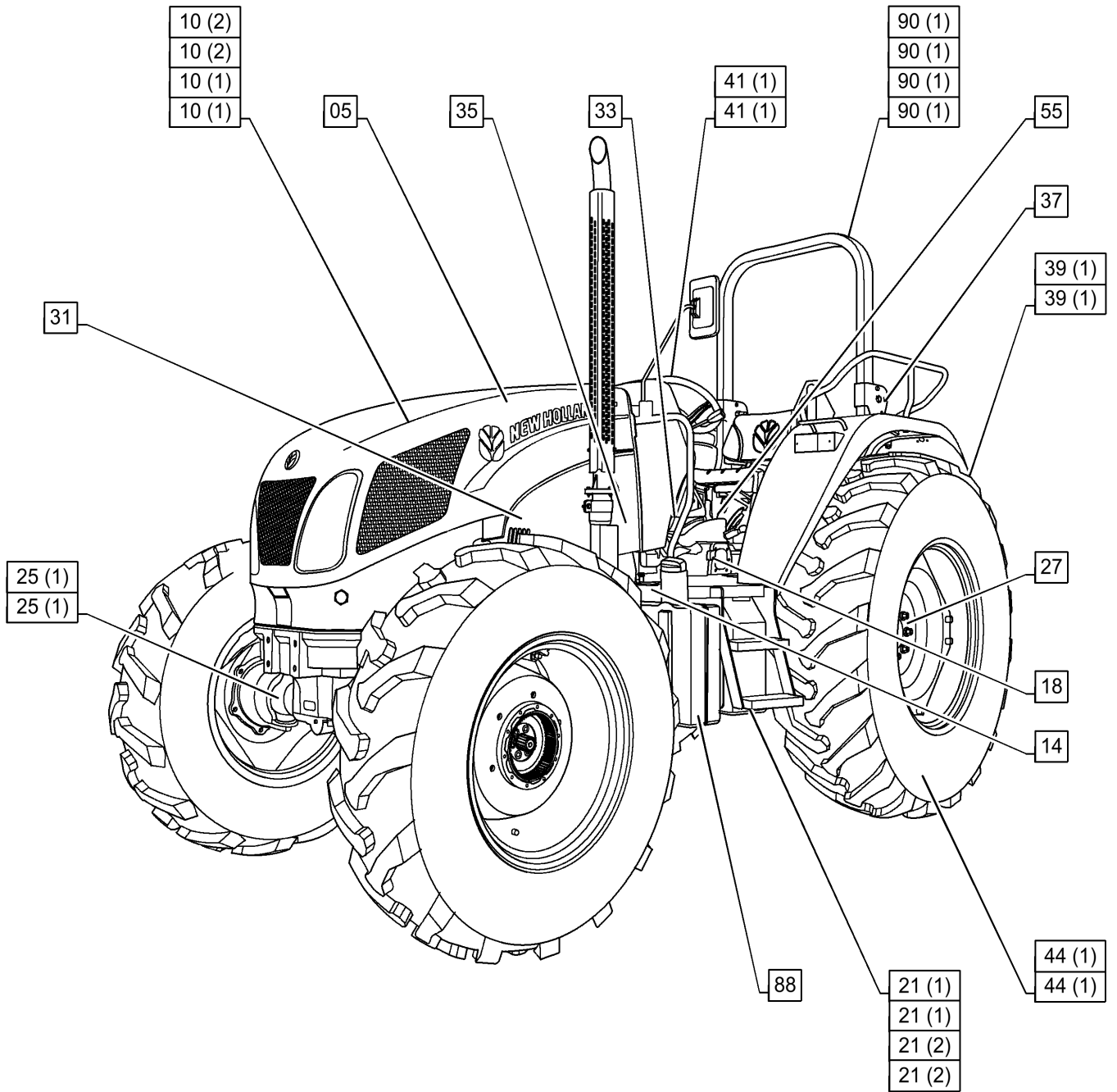
### GENERAL & PICTORIAL INDEX

---

00.000.00	01	PICTORIAL INDEX - MAIN SECTIONS
00.000.05	01	PICTORIAL INDEX - MACHINE COMPLETION AND EQUIPMENT
00.000.10	01	PICTORIAL INDEX - ENGINE, 90HP
00.000.10	02	PICTORIAL INDEX - ENGINE, 90HP
00.000.14	01	PICTORIAL INDEX - MAIN SECTIONS GEARBOX DRIVE
00.000.18	01	PICTORIAL INDEX - CLUTCH
00.000.21	01	PICTORIAL INDEX - TRANSMISSION, 2WD
00.000.21	01	PICTORIAL INDEX - TRANSMISSION, 4WD
00.000.21	02	PICTORIAL INDEX - TRANSMISSION, 2WD
00.000.21	02	PICTORIAL INDEX - TRANSMISSION, 4WD
00.000.25	01	PICTORIAL INDEX - FRONT AXLE SYSTEM, 2WD
00.000.25	01	PICTORIAL INDEX - FRONT AXLE SYSTEM, 4WD
00.000.27	01	PICTORIAL INDEX - REAR AXLE SYSTEM
00.000.31	01	PICTORIAL INDEX - IMPLEMENT POWER TAKE-OFF
00.000.33	01	PICTORIAL INDEX - BRAKES & CONTROLS
00.000.35	01	PICTORIAL INDEX - HYDRAULIC SYSTEMS
00.000.37	01	PICTORIAL INDEX - HITCHES, DRAWBARS AND IMPLEMENT COUPLINGS
00.000.39	01	PICTORIAL INDEX - FRAMES AND BALLASTING, 2WD
00.000.39	01	PICTORIAL INDEX - FRAMES AND BALLASTING, 4WD
00.000.41	01	PICTORIAL INDEX - STEERING, 2WD
00.000.41	01	PICTORIAL INDEX - STEERING, 4WD
00.000.44	01	PICTORIAL INDEX - WHEELS, 2WD
00.000.44	01	PICTORIAL INDEX - WHEELS, 4WD
00.000.55	01	PICTORIAL INDEX - ELECTRICAL SYSTEMS
00.000.88	01	PICTORIAL INDEX - ACCESSORIES
00.000.90	01	PICTORIAL INDEX - PLATFORM, CAB, BODYWORK AND DECALS, 2WD, 90HP
00.000.90	01	PICTORIAL INDEX - PLATFORM, CAB, BODYWORK AND DECALS, 4WD, 90HP



PICTORIAL INDEX - MAIN SECTIONS



**Thanks very much for your reading,  
Want to get more information,  
Please click here, Then get the complete  
manual**

**JustClickHere** 

**NOTE:**

**If there is no response to click on the link above,  
please download the PDF document first, and then  
click on it.**

**Have any questions please write to me:  
[admin@servicemanualperfect.com](mailto:admin@servicemanualperfect.com)**